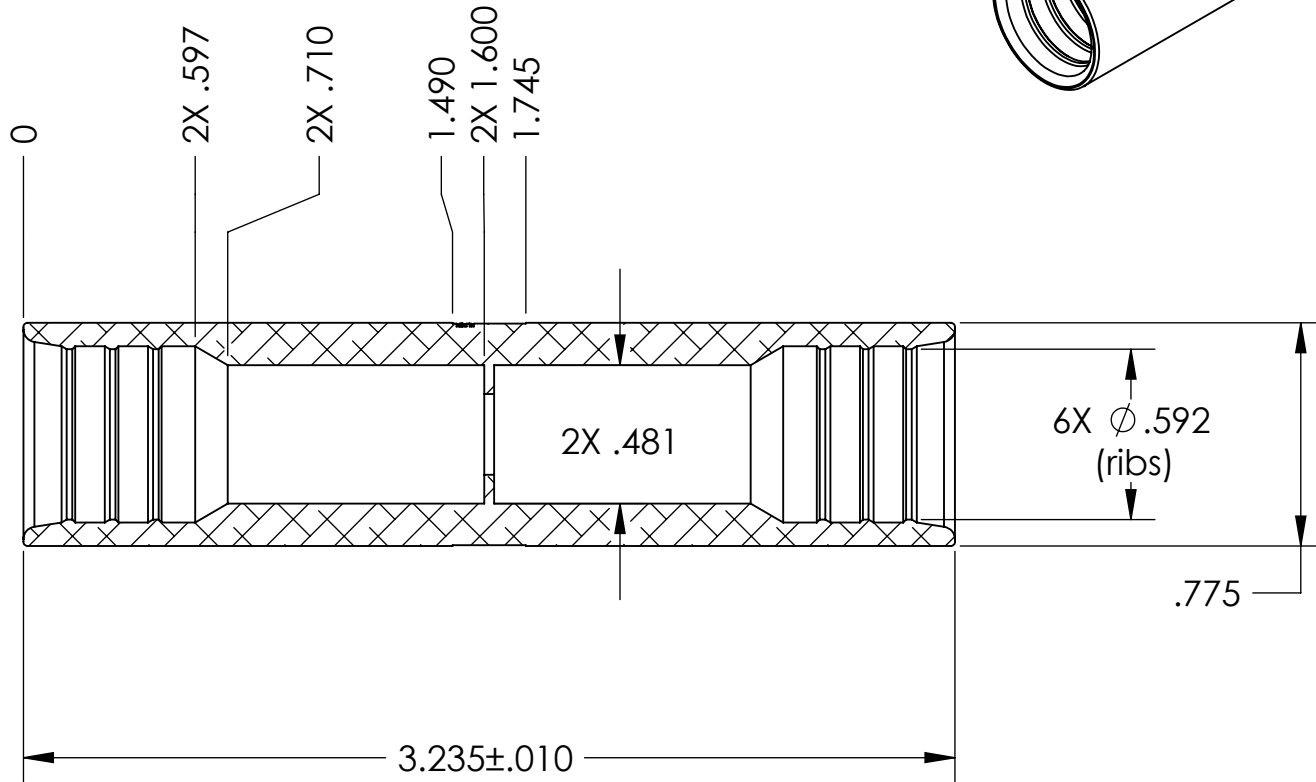
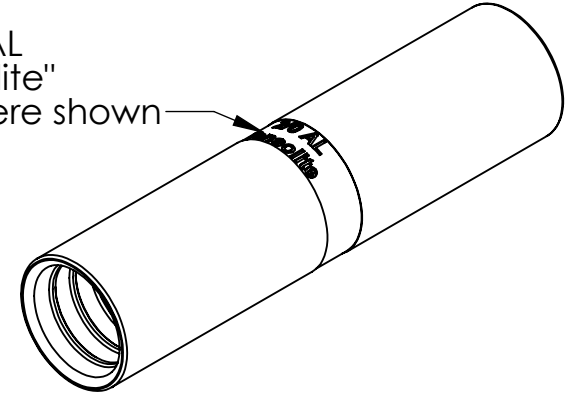


REQUIREMENTS:
UNLESS OTHERWISE SPECIFIED

1. Nickel plating must not show on outside diameter.
2. Tin plating may enter blind hole up to 1/2 inch.
3. Dimensions are before termination.

Mark "2/0 AL
Tensolite"
Approx. where shown



MAT'L CODE	Electrical Grade Aluminum per ASTM B317	FIN CODE	Finish per Carlisle Spec FIN-301 (Exterior surfaces Matte Tin Interior Surfaces Nickel) See Notes: 1 and 2 above.	REV	E.C.O. NO.	DATE	APPR	DIMENSIONS IN INCHES THIRD ANGLE PROJECTION  TOLERANCES UNLESS OTHERWISE SPECIFIED			DESIGN, CONFIGURATION AND MECHANICAL FEATURES REVEALED ON THIS DRAWING ARE THE SOLE PROPERTY CARLISLE COMPANY AND ARE NOT TO BE DISCLOSED TO OTHER PARTIES WITHOUT EXPRESS CONSENT AND APPROVAL OF CARLISLE.	DESCRIPTION Splice Connector 2/0	PG. 1 OF 1
								ANGLES ±2° .XX DECIMALS ±.01 .XXX DECIMALS ±.005 .XXXX DECIMALS ±.0005	DRAW WLA	05/19/10			
				P3	Re-Drawn	5/20/12	BA	ENG. WLA	05/19/10	100 Tensolite Drive St Augustine, FL 32092			